

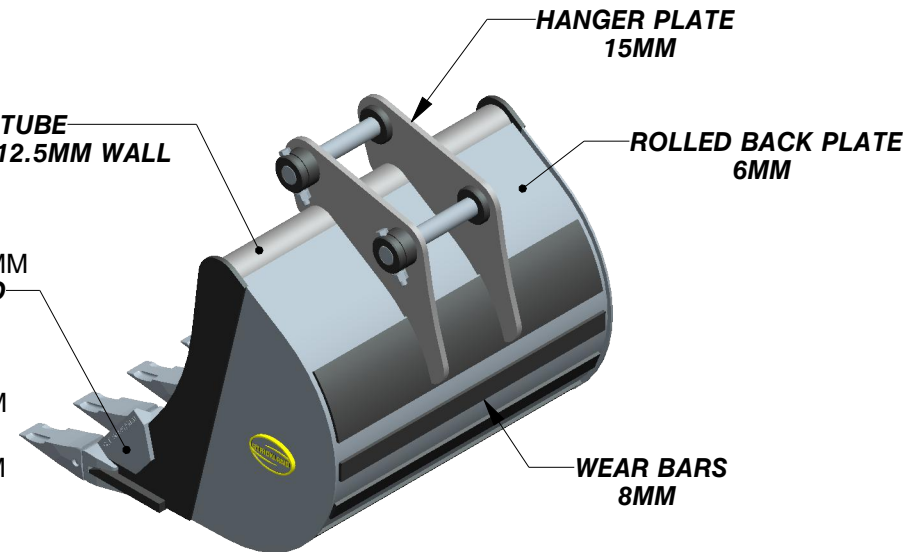
BUCKET WIDTH		NUMBER OF TEETH	CAPACITY (M <sup>3</sup> ) RATED	BUCKET WEIGHT (KG)
MM	INCH			
300	11 13/16	3	0.09	143
305	12	3	0.08	143
356	14	3	0.10	156
400	15 3/4	3	0.12	162
457	18	3	0.14	172
500	19 11/16	3	0.16	180
610	24	4	0.21	206
762	30	5	0.27	241
914	36	6	0.34	275
1050	41 5/16	6	0.40	299
1067	42	6	0.41	302
1219	48	6	0.48	328

TOP TUBE  
 Ø 101.6MM - 12.5MM WALL

••• BUCKET ZX85USB-6 300 MM  
 SIDE CUTTER SHROUD  
 400 BRINELL

BUCKET ZX85USB-6 450 MM

BUCKET ZX85USB-6 600 MM



## STRICKLAND MFG LTD

UNIT 600, ENTERPRISE WAY, VALE PARK, EVESHAM, WR11 1GT  
 TEL: 01386 860 349 FAX: 01386 860 057  
 E-MAIL : SALES@STRICKLANDUK.COM

WWW.STRICKLANDUK.COM



### DESCRIPTION:

**6-TON BUCKET - GENERIC**

NOTE:  
 DESIGN MAY CHANGE DUE TO CONTINUOUS DEVELOPMENT OF PRODUCTS